

#### OPERATING TIMES

1W LUXEON® LED bulb  
15 hours

5mm ordinary-LED  
4 days

01408\_2

#### TECHNICAL SPECIFICATIONS

MICA HL-150 1W LED LAMP

Operating temperature: -20°C ... +40°C

Protection class: IP 66/67 Head piece/ IP 54 Battery

Bulb: 1W Luxeon LED and ordinary 5mm LED as spare bulb

Battery: 6.0V 5,5Ah NiCd

Weight: 1,25kg

#### WARRANTY

Your HL-150 lamp and battery are guaranteed for one year from date of purchase against all defects in materials and workmanship. During the warranty period, any service to the HL-150 lamp and the battery must be performed by an authorized MICA SERVICE AGENT. For after-sales service, contact your local MICA dealer. Notice! **The new MICA lamp/battery must be taken in use or recharged within 3 months.**

#### MICA LAMPS AND ACCESSORIES

Mica Elektro Oy Ltd. specializes in the design and manufacture of heavy-duty rechargeable MICA lamps, ATEX lamps and emergency lighting systems.

**MICA ML** Compact handheld lamps

**MICA HL** Headband/helmet lamps for demanding heavy-duty use

**MICA SL** Headband/helmet lamps for work and recreational activities

**MICA IL-60** High-power flashlight

Also available in **ATEX**-rated versions for use in explosion hazardous spaces.

**For more information, check our web page: [www.mica.eu](http://www.mica.eu)**

#### MANUFACTURER

MICA ELEKTRO OY LTD.

P.O. Box 42, FIN-00381 Helsinki, Finland

Phone int. +358 9 561 7666, Fax +358 9 561 76688

Internet: [www.mica.eu](http://www.mica.eu) E-mail: [info@mica.eu](mailto:info@mica.eu)

MICA ELEKTRO OY LTD. LAMP SERVICE

P.O. Box 42, FIN-00381 Helsinki, Finland

(Visit address: Höyläämötie 11 B, HELSINKI)

© 10-2007 MICA ELEKTRO OY LTD.

Product information given in this document subject to change without prior notice.

# - mica - halogen -<sup>®</sup>

## MICA HL-150 1W LED User's Guide

Read these instructions carefully to extend the life of your MICA Lamp by correct handling. For more information on other MICA products, please contact your retailer.



- mica -  
elektro

# MICA HL-150 1W LED User's Guide

## LAMP USE

Before use check that the battery is fully recharged. The rotary knob on the right side of the lamp functions as a switch (small LED-on, Luxeon LED-on, off). The beam angle can be adjusted by the rotary knob on the left side of the lamp. In the HL-150 lamp, beam blinking at 15 sec intervals indicates low battery. At start of blinking, about 30 min of operating time remains. After that, the control electronics will turn off the lamp automatically to prevent battery deep-discharge.

## BATTERY CARE

For long life, the battery must be charged fully prior to its first use, as well as after a full discharge. First charging of a new battery must take at least 16 hours. A new battery needs about 10 full charge/discharge cycles to gain its full capacity. The operating condition of the battery is monitored by a micro-controller. Battery's state-of-charge is indicated by a LED bar during charging and lamp use. The electronic circuitry monitors the battery temperature, charging/discharging status and protects the battery from deep discharge.

**Notice: Do not store empty/new battery without charge over three months!**

## BATTERY CHARGING

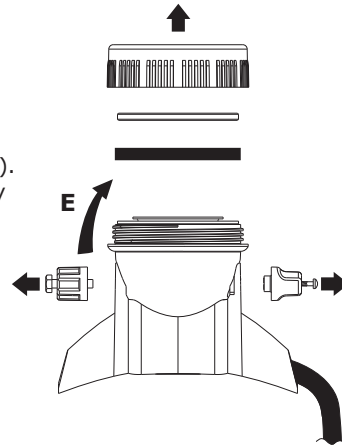
Battery must be recharged in an original MICA ILC charging holder, which may be fed either from the mains using the IL-1 adapter or from a 12/24V vehicle battery. Permissible charging temperature is +0°C to +40°C. Recharging a fully exhausted battery takes 12 hours. **NOTE! The supply voltage to the charger may not be interrupted by a timer or the like similar device. Battery should always be stored in its charging holder. Also available multiple charging racks.**

## SERVICE

You can make most of the services by yourself with original MICA spareparts. **Notice:** During the warranty period, any service to the MICA products must be performed by an authorized MICA SERVICE AGENT.

## LAMP DISASSEMBLY

- A) If you only change the battery ->See below M-U
- B) Open locking ring (1).
- C) Unscrew adjustment locking knob (6).
- D) Unscrew switch locking screw and remove switch knob (6).
- E) Rotate the body cup until it flips off from forks of the body casing (12).
- F) Unscrew cable clamp screw (11).
- G) Push lamp slide-in assembly out with the help of cable.

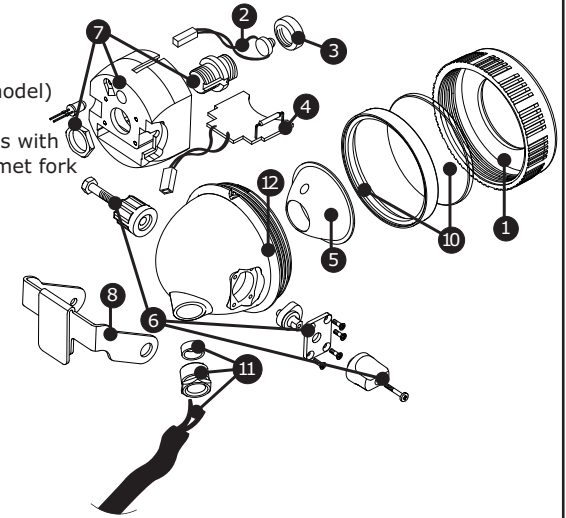


## BATTERY UNIT CHANGE

- M) Unscrew charging contacts (6).
- N) Unscrew cover screws (6 pcs).
- O) Open cover and pull out battery slide-in assembly (2).
- P) Disconnect battery pack (1) wires from PCB (5).
- Q) Replace battery pack and connect wires with PCB.
- R) Check correct insertion of terminals on PCB.
- S) Insert slide-in assembly back into casing and redo charging contacts.
- T) Arrange wires carefully inside casing.
- U) Check correct location of O-ring seal and close cover.

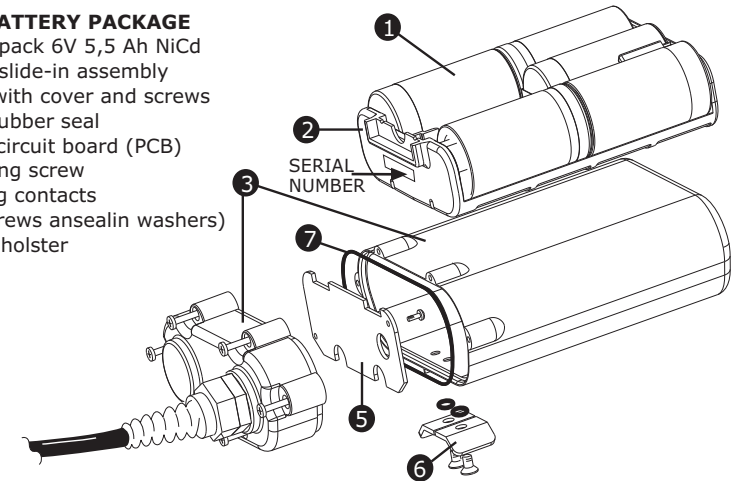
## SPARE PARTS FOR HL-150 1W LED HEAD PIECE

- 1 H0031\_2 Lamp locking ring (black)
- 2 H0048\_1 1W LED unit
- 3 H0049\_1 LED locking ring
- 4 H0034\_2 Printed Circuit Board (LED model)
- 5 H0035\_2 Reflector
- 6 H0036\_2 Switch and adjustment knobs with screws to stainless steel helmet fork
- 7 H0037\_2 1W LED slide-in assembly (without PCB)
- 8 H0038\_3 Helmet fork
- 10 H0040\_1 Lens and O-ring seal
- 11 H0041\_2 Cable set (cable, cable clamp)
- 12 H0042\_2 Reflector body cup (black)



## SPARE PARTS FOR BATTERY PACKAGE

- 1 H0059\_1 Battery pack 6V 5,5 Ah NiCd
- 2 H0052\_2 Battery slide-in assembly
- 3 H0053\_2 Casing with cover and screws
- 4 H0058\_1 O-ring rubber seal
- 5 H0055\_1 Printed circuit board (PCB) with fixing screw
- 6 H0056\_1 Charging contacts (incl. screws ansealin washers)
- 11415 Leather holster



**NOTE! When ordering spare parts please always tell the model/type and serial number of your lamp and /or charger.**